

The VOLMER Engineering machine range



Subsoiler  
**TL**

|                                  |                          |                           |
|----------------------------------|--------------------------|---------------------------|
| TRG Series 1000<br>              | TR Series 1000<br>       | Strip-Till CULEX<br>      |
| TRG Series 101<br>               | TR Series 101<br>        | Slurry cultivator FZG<br> |
| Slurry mulch cultivator APER<br> | Telescopic plate VTS<br> | Subsoiler TL<br>          |
| Hose reel VSH<br>                | Power-Lift-Axle PLA<br>  | T-RUBBER Accessories<br>  |



Your contact persons

|                  |                   |                |                   |                   |
|------------------|-------------------|----------------|-------------------|-------------------|
| <br>Bernd Volmer | <br>Thomas Volmer | <br>Dirk Rygol | <br>Thomas Fehmer | <br>Mathias Theil |
|------------------|-------------------|----------------|-------------------|-------------------|



**VOLMER ENGINEERING GmbH**

Lingener Damm 229  
48429 Rheine

[www.volmer-engineering.com](http://www.volmer-engineering.com)

Tel. +49 59 71 94 632-0  
Fax +49 59 71 94 362-90

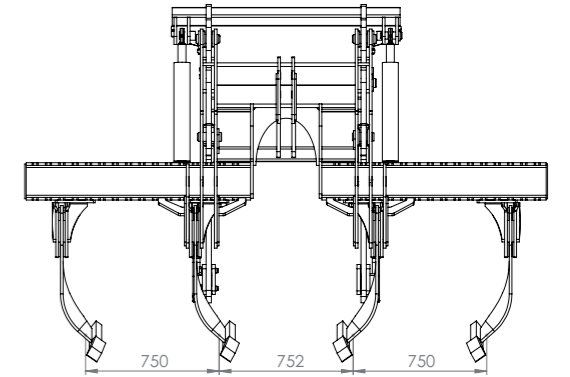
[info@volmer-engineering.com](mailto:info@volmer-engineering.com)

**SUBSOILER**

[www.volmer-engineering.com](http://www.volmer-engineering.com)

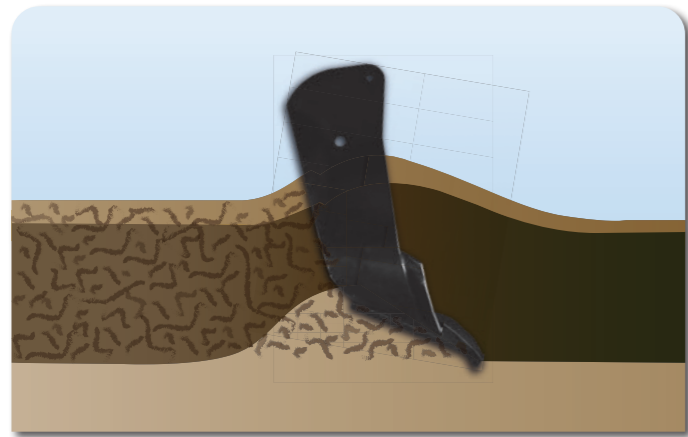
## 1. Subsoiler 4 tines with unique maize mode

- Two, four or six tines can be fitted in 7.5 cm increments, also behind the lower link points.
- As the only manufacturer on the market, we thus offer you the possibility, four tines in the classic 75 cm maize mode.

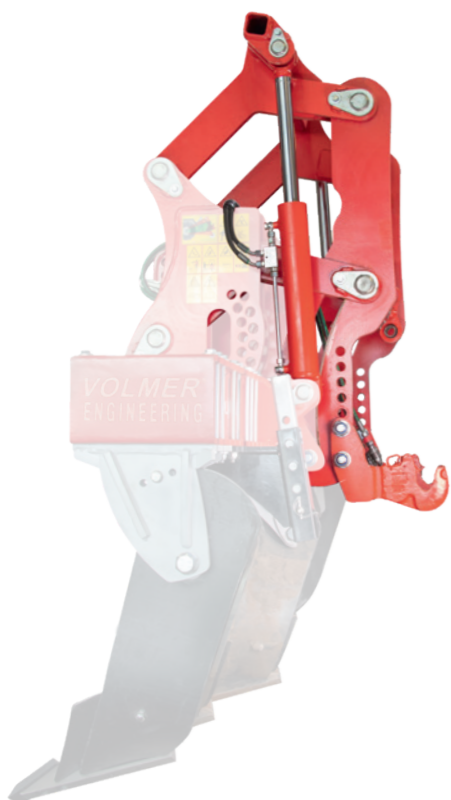


## 7. Deep loosening

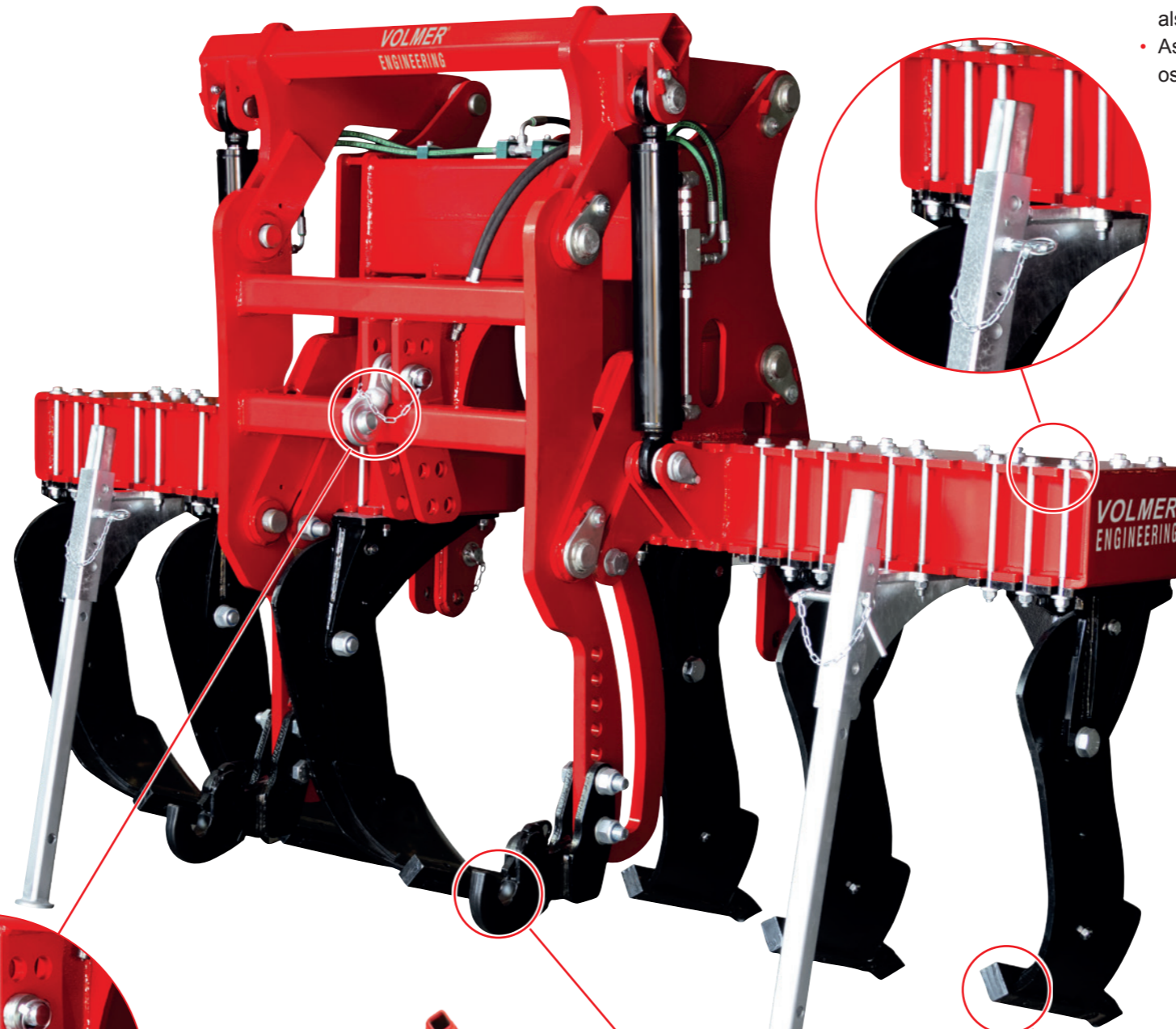
The use of ever larger and heavier machines on the fields leads to massive soil compaction at a depth of 30 to 40 cm (plough-bed compaction). With the curved, 70 cm long tines, the TL lifts the soil, breaks it up and loosens it. At the same time it keeps up its natural stratification. Unlike straight tines, there are no smear layers.



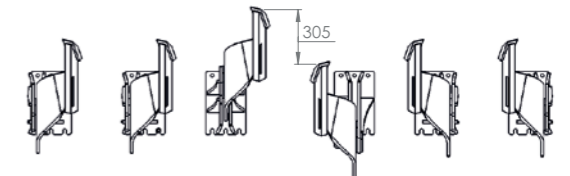
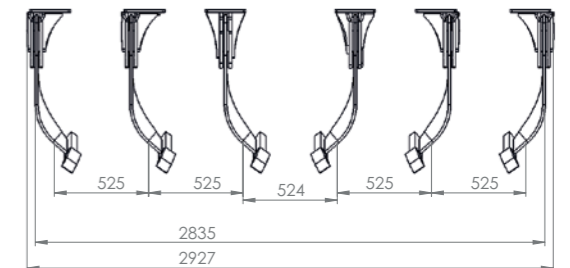
## 6. Full lifting gear



The subsoiler has a fully-fledged, parallel-guided linkage with integrated upper linkage point. This allows the working depth of the subsoiler compared to the follow-up device to be adjusted hydraulically during work. Due to the specially developed hydraulic three-point linkage the entire implement combination is only extended by only approx. 85 cm when driving on the road.



## 2. Subsoiler 6 tines



- Offset tines for good passage.

### Simple combination with other implements

The TL subsoiler is extremely stable and can be easily and quickly combined with other implements, such as the short disc harrow, the cultivator, the packer or the roundabout harrow (PTO shaft drive).

## 4. Tips

- Various wear tips

## 5. Suspension

- Interchangeable catch hooks: Category 2 or category 3 possible
- Lifting height individually adjustable by moving the suspension

## 3. Data

|                                | Unit of measurement | TL 3m 4 tines | TL 3m 6 tines |
|--------------------------------|---------------------|---------------|---------------|
| Working depth                  | mm                  | 150 - 550     | 150 - 550     |
| Working width                  | m                   | 3.00          | 3.00          |
| Weight                         | kg                  | 850           | 1,000         |
| Transport width                | m                   | 3.00          | 3.00          |
| Frame height                   | mm                  | 850           | 850           |
| Min. power requirement approx. | KW/PS               | 80/110        | 100/136       |
| Hydraulic connection           | DW                  | 1             | 1             |

Weights and measures are approximate and non-binding. We reserve the right to make changes.